

INSTALLATION INSTRUCTIONS



PBC-UMW (White)



PBC-UMS (Black)

PBC UNIVERSAL PROJECTOR MOUNT

NORTH AMERICA

3130 East Miraloma Avenue
Anaheim, CA 92806 USA
USA and Canada –
Phone: 800-368-9700
Fax: 800-832-4888

EUROPE

Swallow House,
Shilton Industrial Estate,
Shilton, Coventry, England CV79JY
Phone: +44 (0) 2476 614700
Fax: +44 (0) 2476 614710

Other Locations – Phone: (001)-714-632-7100; Fax: (001)-714-632-1044
©Premier Mounts 2009

9530-002-021-06





Table of Contents

Warning Statements - 2 -

Parts List - 3 -

Installation Tools - 3 -

Features - 5 -

Projector Preparation - 6 -

Bracket Installation - 8 -

Leveling the Mounting Bracket - 9 -

Securing the Upper Assembly Ceiling Plate - 10 -

Securing the Projector to the Upper Assembly - 11 -

Final Adjustments - 12 -

Plastic Cap Installation - 13 -

Technical Specifications - 14 -

Warranty - 15 -

Warning Statements



THE CEILING STRUCTURE MUST BE CAPABLE OF SUPPORTING 60 LBS. IF NOT, THE CEILING MUST BE REINFORCED. PROPER INSTALLATION PROCEDURE BY A QUALIFIED SERVICE TECHNICIAN, AS OUTLINED IN THE INSTALLATION INSTRUCTIONS, MUST BE ADHERED TO. FAILURE TO DO SO COULD RESULT IN SERIOUS PERSONAL INJURY, OR EVEN DEATH.



SAFETY MEASURES MUST BE PRACTICED AT ALL TIMES DURING THE INSTALLATION OF THIS PRODUCT. USE PROPER SAFETY GEAR AND TOOLS FOR THE INSTALLATION PROCEDURE TO PREVENT PERSONAL INJURY.



PRIOR TO THE INSTALLATION OF THIS PRODUCT, THE INSTALLATION INSTRUCTIONS SHOULD BE READ AND COMPLETELY UNDERSTOOD. THE INSTALLATION INSTRUCTIONS MUST BE READ TO PREVENT PERSONAL INJURY AND PROPERTY DAMAGE. KEEP THESE INSTALLATION INSTRUCTIONS IN AN EASILY ACCESSIBLE LOCATION FOR FUTURE REFERENCE.



Indicates that the power plug is to be disconnected from the power outlet.



Contact Premier Mounts with any questions.



Safety precautions must be taken at all times.



Warning and Caution statements.



A secure structure must support the weight, or load, of the projector. When mounting to a ceiling that contains wooden studs, dead center of the wooden stud must be confirmed prior to installation.



Do not install on a structure that is prone to vibration, movement or chance of impact. Failure to do so could result in damage to the projector and/or damage to the mounting surface.



Do not install near heater, fireplace, direct sunlight, air conditioning or any other source of direct heat energy. Failure to do so may result in damage to the projector and could increase the risk of fire.



At least two qualified people should perform the installation procedure. Injury and/or damage can result from dropping or mishandling the projector.



Recommended mounting surfaces: wooden studs and solid-flat concrete. If the mount is to be installed on any surface other than wooden studs, use suitable hardware (which is commercially available).

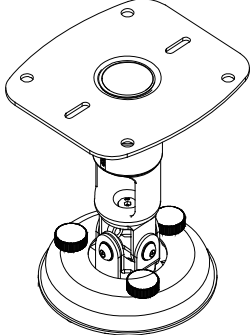
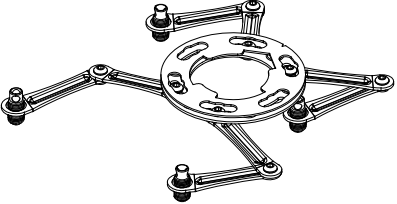
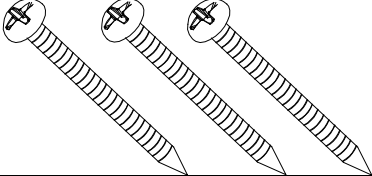
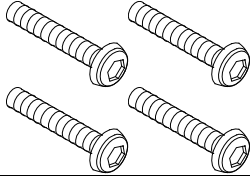
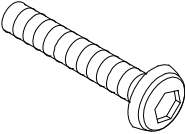
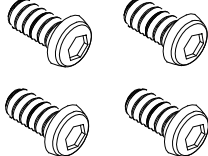
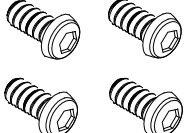

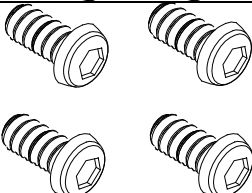


Parts List



Note

This mount is shipped with all proper installation hardware and components. Make sure that none of these parts are missing and/or damaged before beginning installation. If there are parts missing and/or damaged, please stop the installation and contact Premier Mounts (800) 368-9700.

<p>Upper Assembly® (Qty 1)</p> 	<p>Universal Mounting Bracket (Qty 1)</p> 
<p>#14 Wood Screws (Qty 3)</p> 	<p>M3 x 12mm Security head screws (Qty 4)</p> 
<p>M6 x 25 Security head screw (Qty 1)</p> 	<p>M5 x 12 Security head screws (Qty 4)</p> 
<p>M4 x 12 Security head screws (Qty 4)</p> 	<p>Plastic barrel caps (Qty 4)</p> 
<p>M6 x 12 Security head screws (Qty 4)</p> 	

Installation Tools

Phillips Head Screw Driver
Pencil
Tape Measure
Ladder

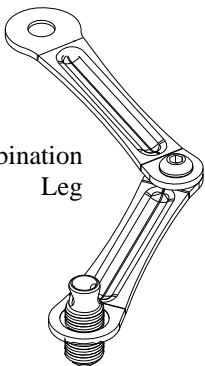
Portable Drill
¼" Drill Bit
Wrench with ½" Drive Socket
M5 Allen Wrench (Supplied)
M3 Allen Wrench (Supplied)

Soft Material/ Blanket
Green Level (Supplied)
Stud Finder (Commercially Available)

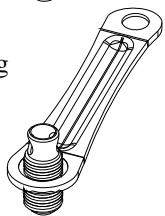


A	Single Wooden Stud Mounts
B	Solid Structure Mounting Points
C	M3 Allen Wrench
D	Allen Wrench
E	1.5" nipple (NTP)
F	Tension Knobs
G	Safety Knob
H	Security Screws
I	Leveling Screws
J	Universal Mounting bracket
K	Leg Assembly
L	Projector (not included)
M	Tri-Lock Opening

NOTE: The four (two-piece) leg assemblies can be used as single leg or any combination of single and dual legs together as shown in Options 1 and 2. The number of legs may vary depending on the number of mounting points found on the bottom of the projector.

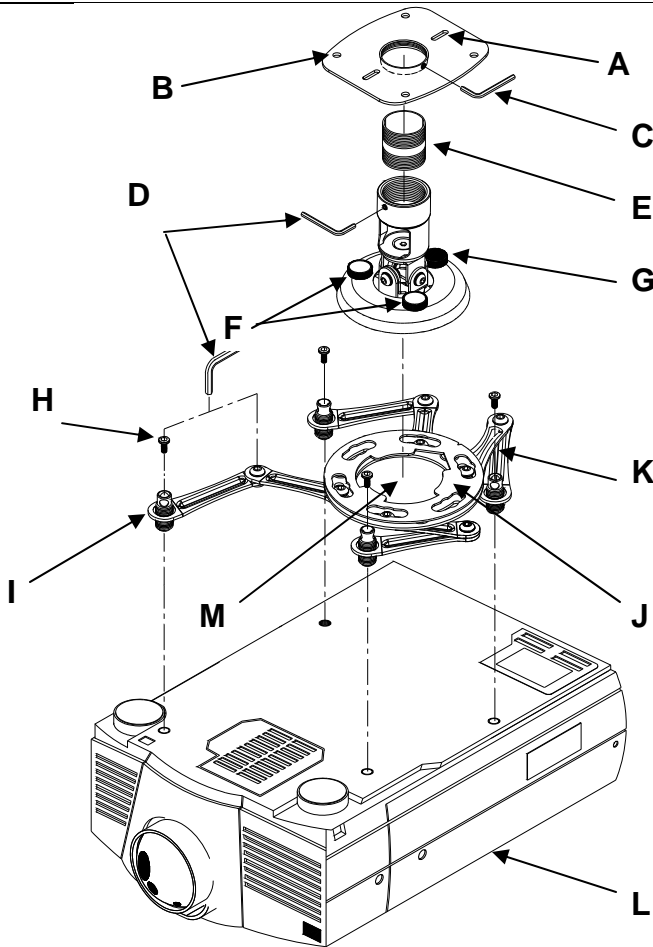


Combination Leg

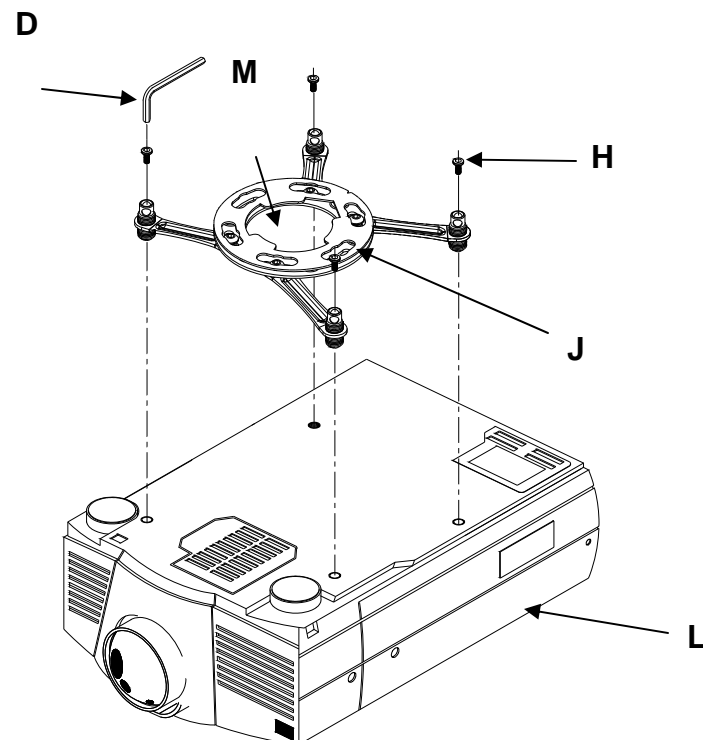


Single Leg

Option 1



Option 2






Features

Congratulations on your recent purchase of your PBC Universal Projector Mount. This mounting system is designed for projectors weighing 60lbs. (27.27kg) or less. The mount is easy to install and is loaded with additional installation features built into the mount. These features allow you to optimize the projector's position to the screen for the best projector performance and picture quality.


- Can be mounted to the ceiling
- Tilt/Roll up to $\pm 20^\circ$
- Rotates 360°
- Positive locking in any set position
- Quick release system for easy projector mounting and removal
- Cables can be routed inside pipe
- Upper ceiling plate allows for single wooden stud installation and cable insertion through the ceiling plate for a cleaner appearance



Projector Preparation

 **WARNING** Proper installation procedure by qualified personnel as outlined in the installation instructions must be adhered to. Failure to do so could result in serious personal injury and possible damage to the projector.

 **Caution** THE PROJECTOR IS FRAGILE. HANDLE WITH CARE AT ALL TIMES.

 **Note** Review the projectors manufacture's operation manual and refer to the ceiling mounting section of the operator's manual. Here you will normally find important reference information regarding installation dimensions such as (distance from the screen to the lens of the projector, top of the lens placement to the top screen etc. Adherence to these recommendations during your installation will enhance the quality of your final image on the screen.

- Step 1. Carefully invert the projector and place it on a smooth, flat surface.
- Step 2. Identify the number of mounting points and screw thread size. Most projectors have either three or four mounting points and are M4, M5 or M6 in thread size (Figure 1).

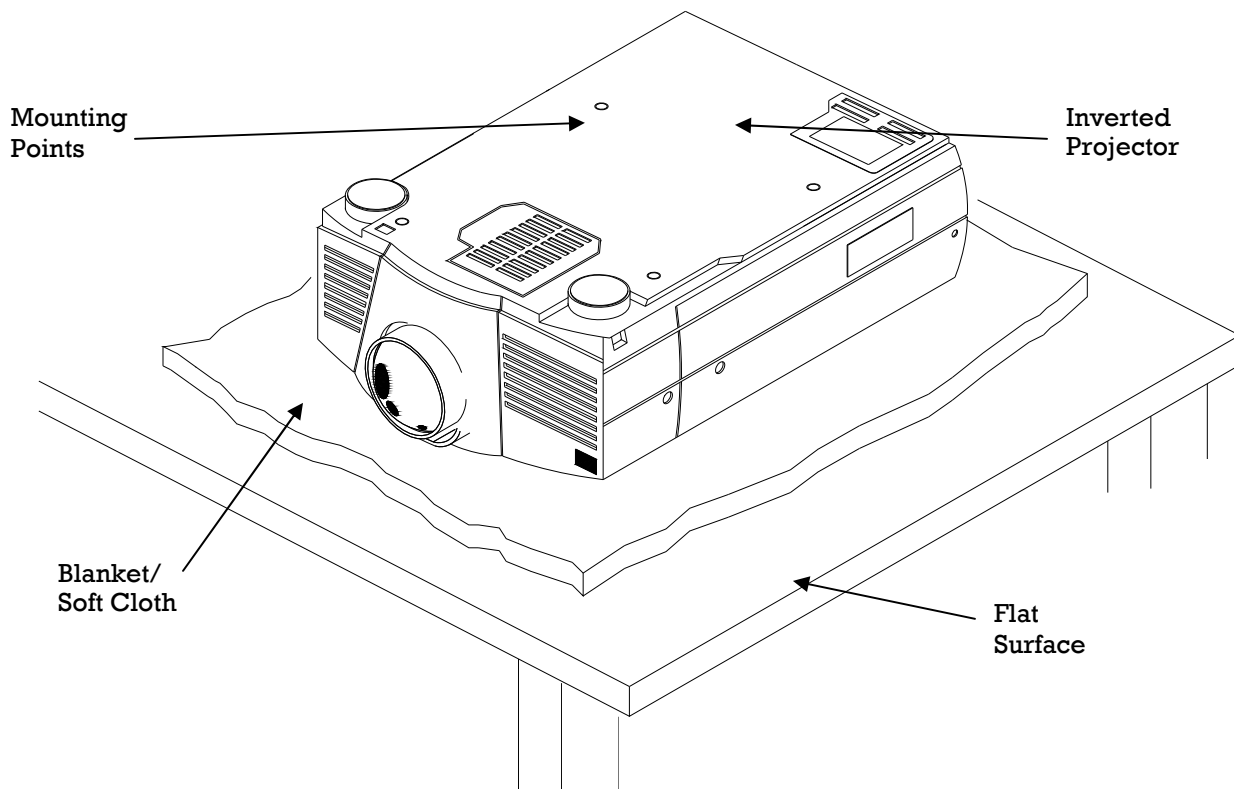


Figure 1. Projector Preparation

- Step 3. Separate the upper assembly from the projector mounting bracket by slightly loosening the two tension knurl knobs to create free play between the bracket tri-lock assembly and the upper section tri-lock assembly points (Figure 2A and Figure 2B).
- Step 4. Loosen the security screw knurl knob far enough to allow the two parts to be rotated 180° apart and separate (Figure 2C).

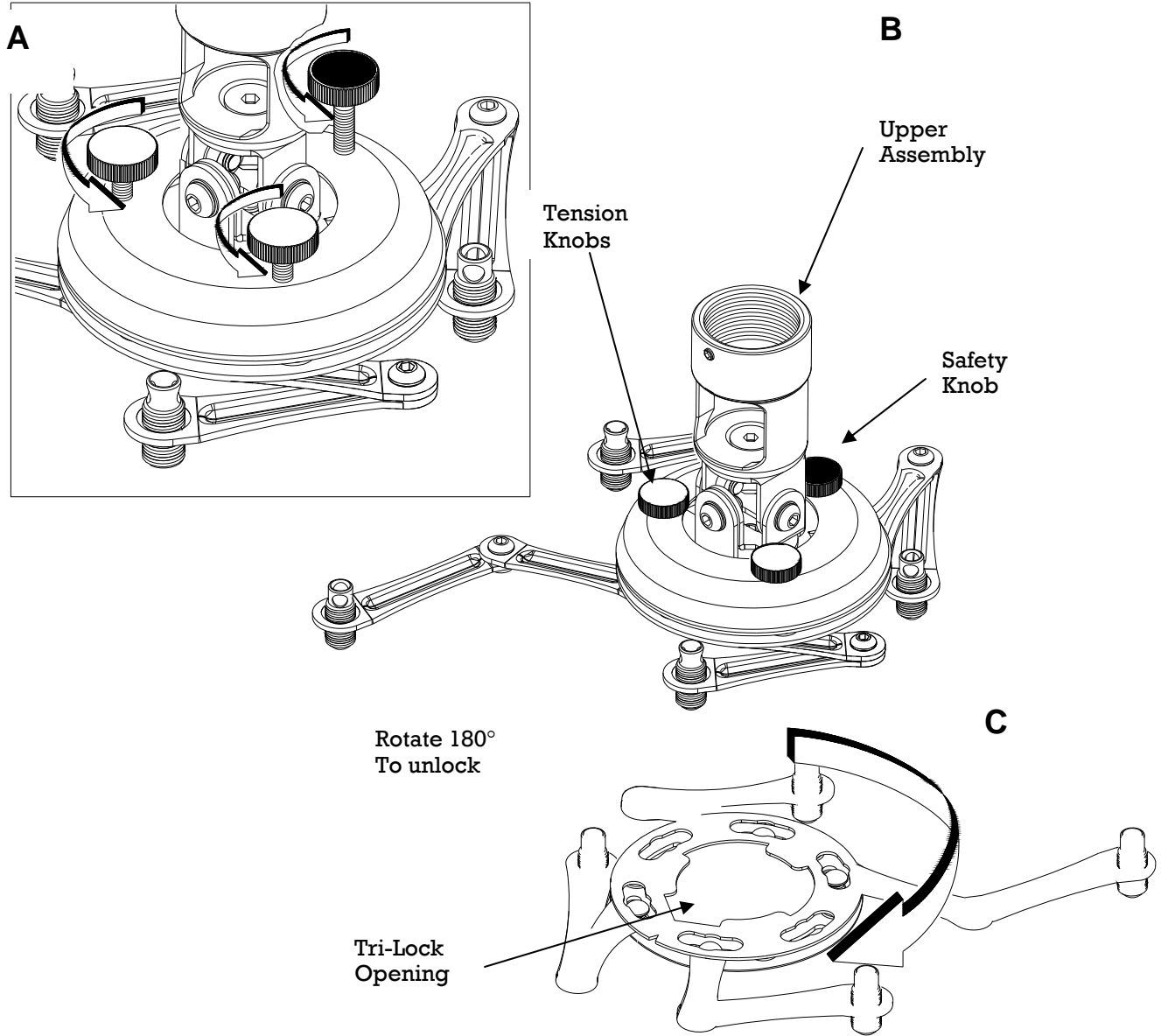


Figure 2. Mount Preparation



Bracket Installation



WARNING

Only attach to the projector manufacturer's specified mounting points on the projector chassis with a minimum of three mounting legs. Please follow all safety instructions specified by the projector manufacturer as well as the safety instructions outlined in this manual.



Note

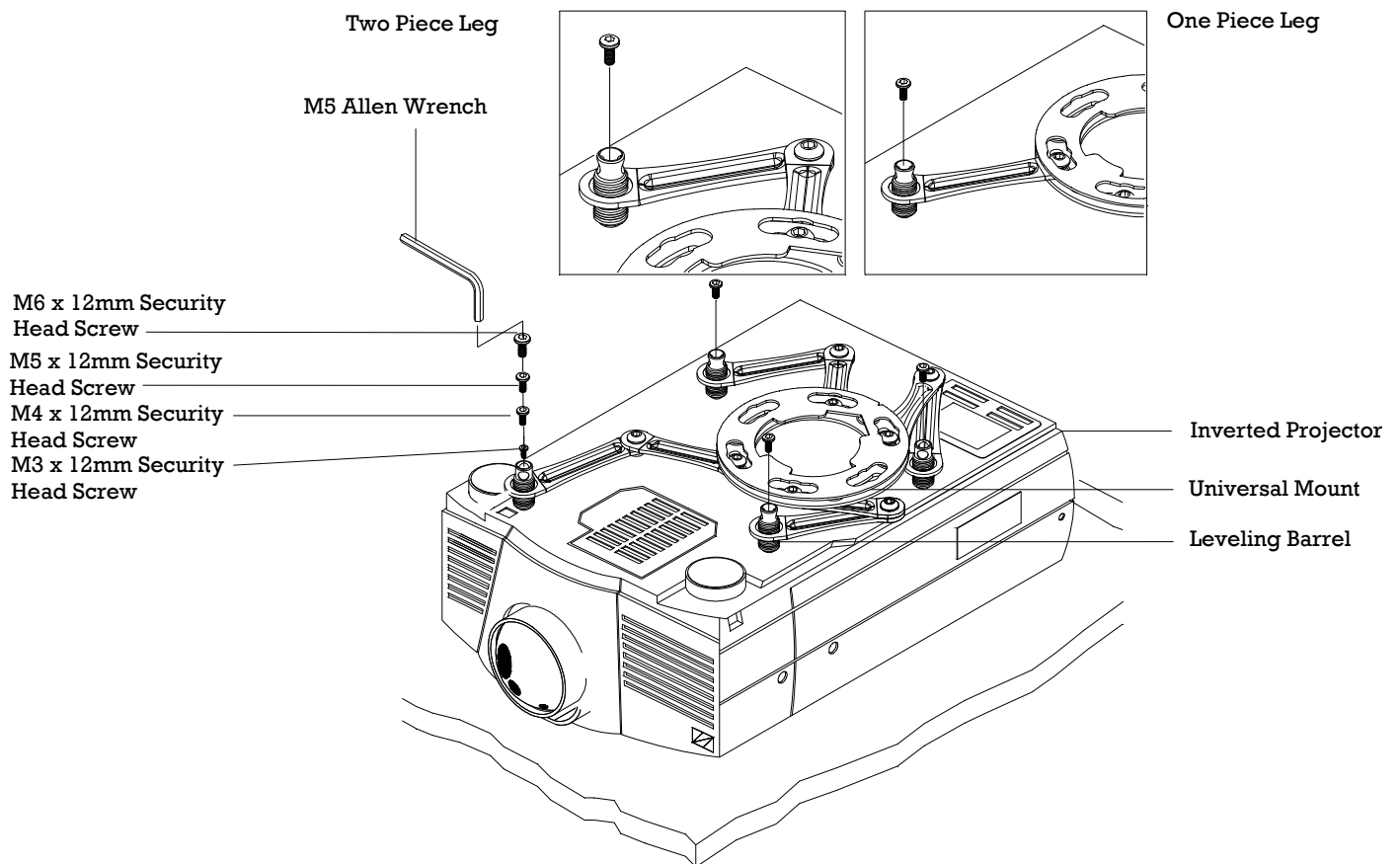
The two-piece mounting legs are designed to allow for the positioning of each leg around projector air vents located on the base of the projector. Where applicable, each leg mount may be shortened by removing the locking screw. This will allow for a better bracket fit, overall.



Note

For easier installation, the mounting legs should be first mounted to the projector. Each leg should then be adjusted so that they can mount to the Universal Mount (Figure 3).

- Step 1. Locate the mounting points on the bottom of the projector and use the appropriate number of mounting legs.
- Step 2. Select the mounting hardware that the projector requires and loosely install the universal mount on the projector.





Leveling the Mounting Bracket



Caution

Secure but do not over tighten the mounting hardware. Failure to do so will result in damaging the threads in the projector.

- Step 1. Rotate the leveling barrels to level the mounting bracket.
- Step 2. Position the mounting bracket so that it avoids most, if not all, ventilation points (including lamp and filter access doors).
- Step 3. When the desired position is achieved, tighten the mounting screws to the projector and then tighten the hex head leg screws with the M5 Allen wrench (Figure 4).

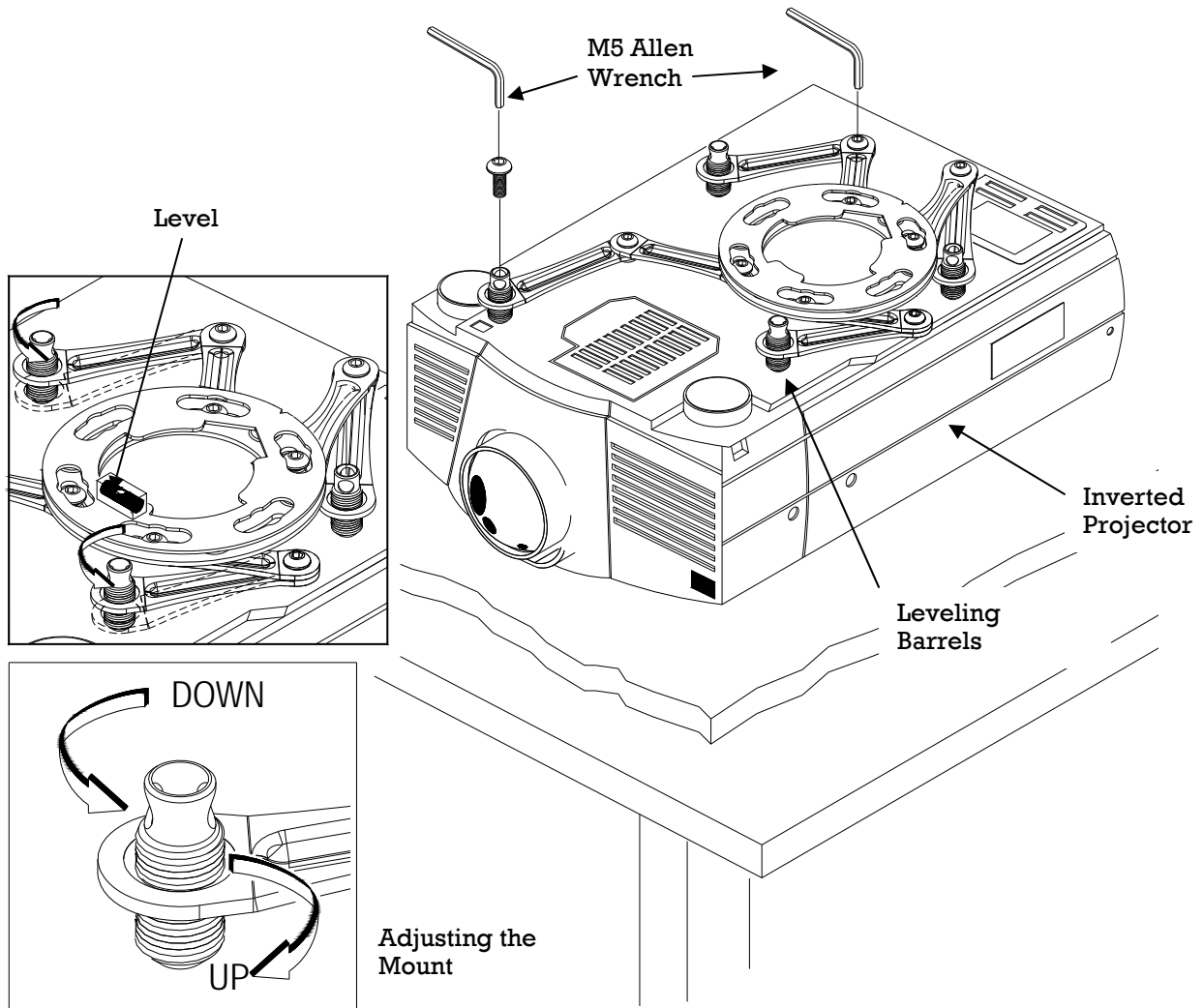


Figure 4. Leveling the Mounting Bracket



Securing the Upper Assembly Ceiling Plate

Review your projector's owner's manual to determine what distance is recommended from the front of the lens to the edge of the screen for best picture ratio.



However in most home theater and office ceiling mount installations this is not practical as the projector would be too low within the room. At a minimum you should at least locate the inverted projector's top of the lens point to a point centered horizontally on the screen and no higher than the top image edge of the screen).

Most projector manufacturers prefer to have the center of the projector lens centered of the top of the screen when the projector is inverted for ceiling mounting. It is normally better to have the top edge of the lens as close to parallel with the top image edge of the screen as well. Before you mount your screen and projector, make sure the mounting location will safely support the weight of the projector.



Make sure to measure from the center of the mounting bracket to the front edge of the lens to determine the proper placement of the center of the upper assembly.

Step 1. Secure the ceiling assembly into a solid wood ceiling stud with the two (2) #14 x 2" wood screws (supplied) or with other (commercially available) hardware depending on your installation environment (Figure 5).

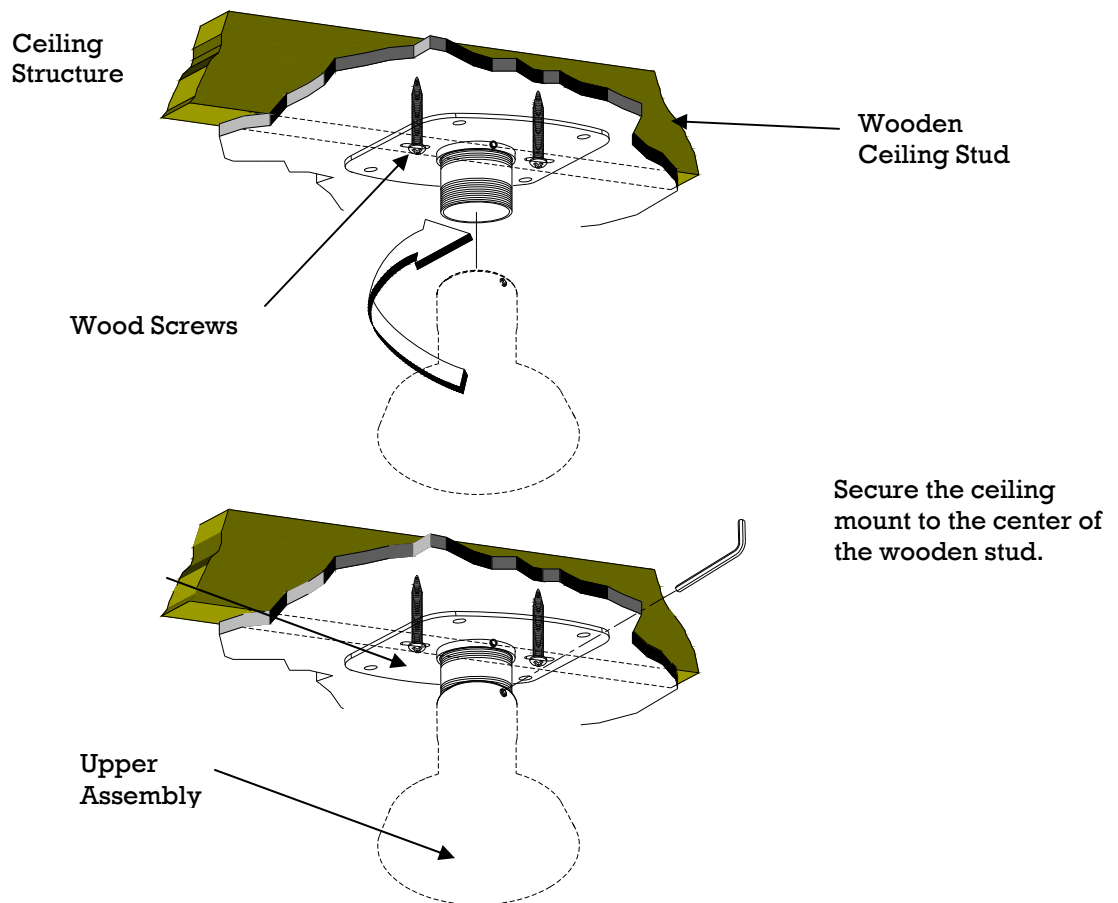


Figure 5. Securing the Upper Assembly Ceiling Plate



Securing the Projector to the Upper Assembly

- Step 1. Make sure the three-knurl knobs are loosened to fully expose to the “tri-lock” mounting plate in the base of the upper assembly.
- Step 2. Carefully lift the projector and insert the mounting bracket mating special tri-lock cutout into the mating portion of the upper assembly.
- Step 3. Once inserted rotate the projector and mounting bracket 180° and secure the rear safety knob first to prevent further rotation of the bracket in the upper assembly.
- Step 4. Tighten the remaining two tension knurl knobs until the mount becomes rigid. The safety knob should line up with the alignment slot on the mounting bracket.



Note Follow the numbering sequence prior to securing the projector to the upper assembly.

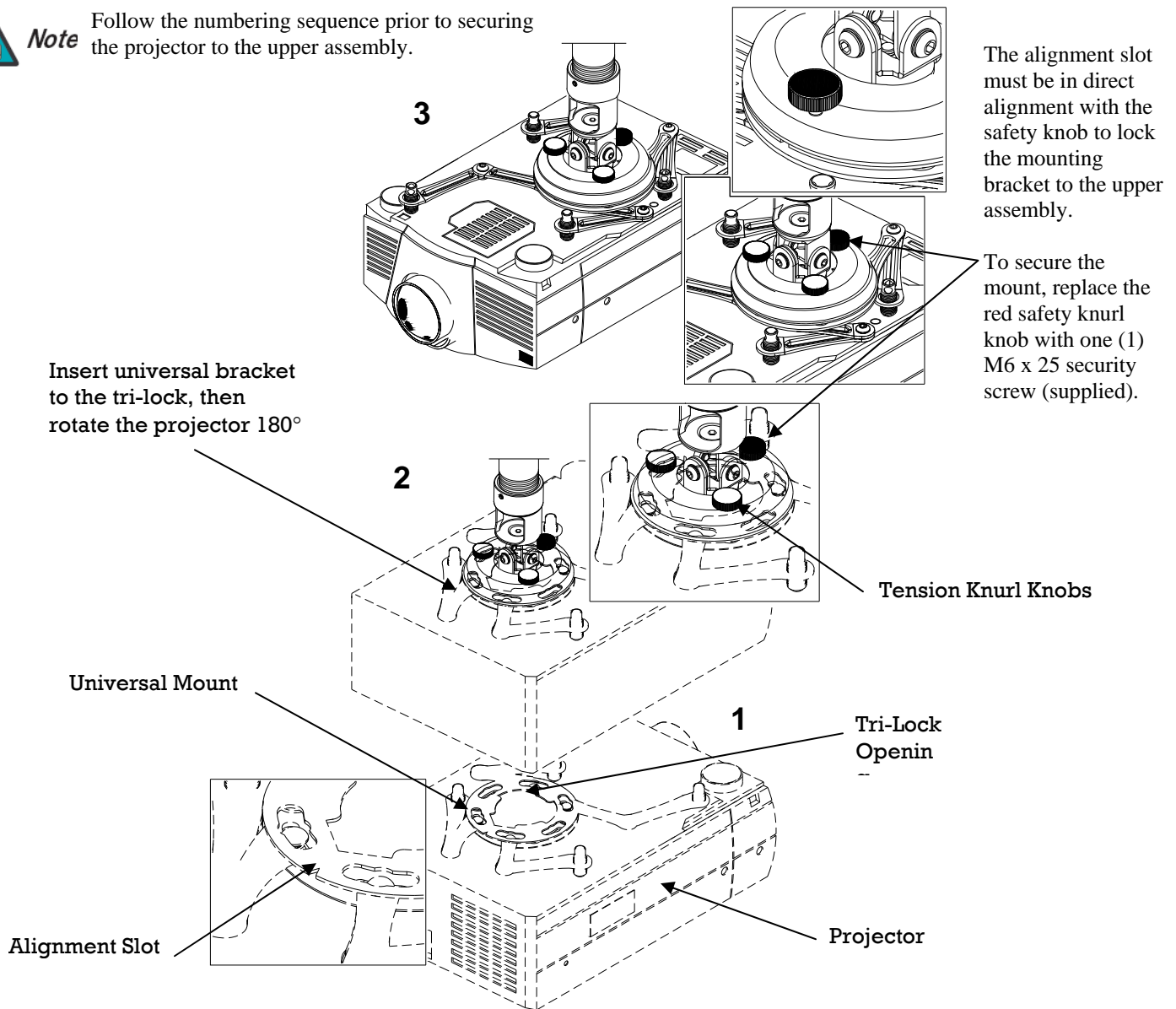


Figure 6. Low Profile Installation



Final Adjustments

Step 1. With the projector secured in the mount and power on and signal supplied to the projector you can now proceed with the final height, tilt, roll and yaw to optimize the projected image.

A

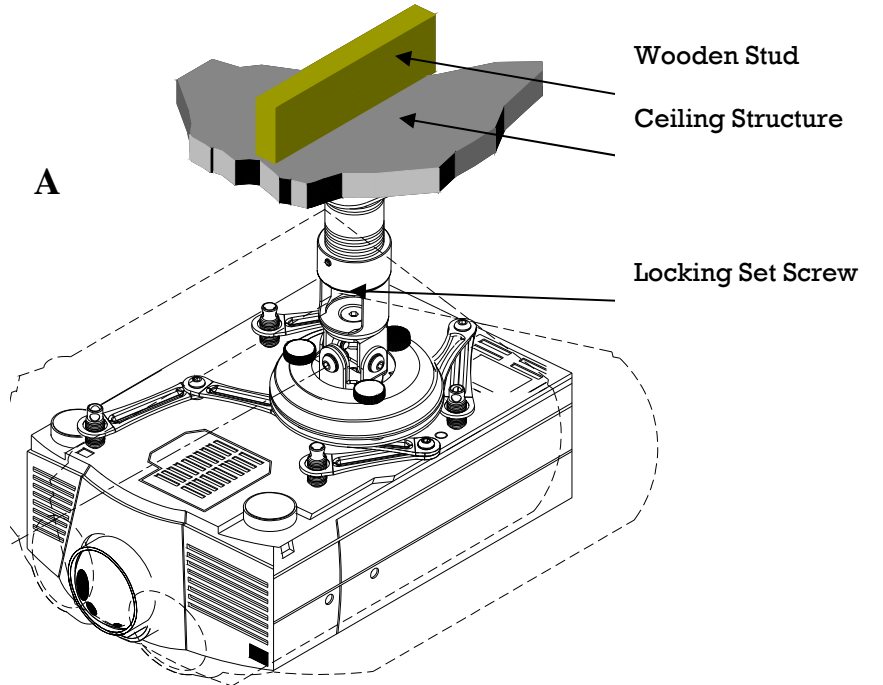
The height can be adjusted by rotating the PBC clockwise (higher) / counter-clockwise (lower). Once the height is achieved, tighten the locking set screw using the supplied Allen Wrench.

B

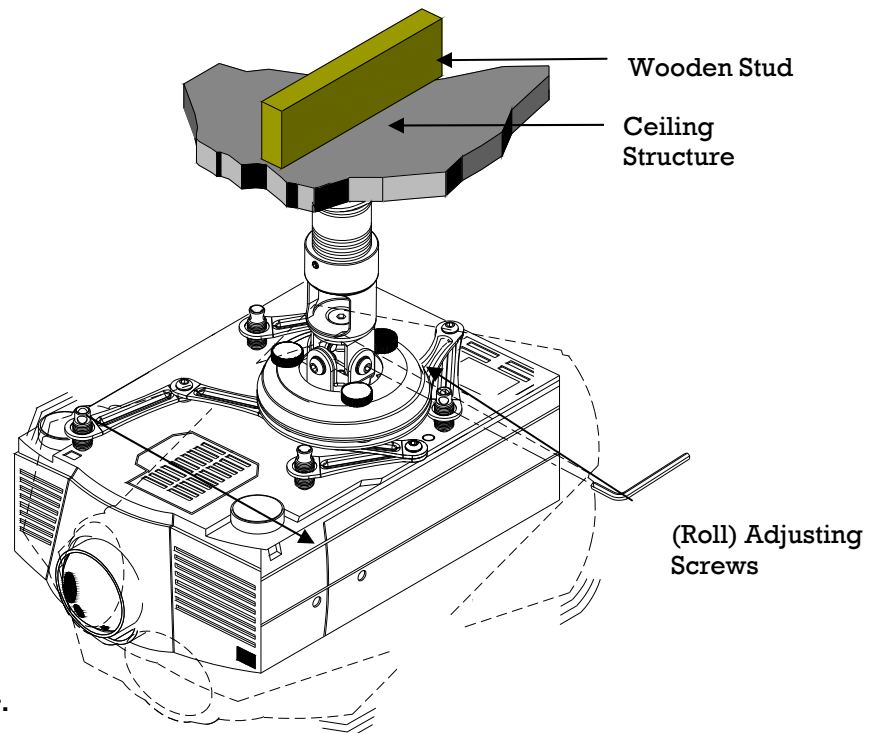
To adjust the tilt angle of the projector, slightly loosen the side M8 screws and tilt to the desired angle and firmly tighten the two M8 adjustment screws.

C

If roll adjustment is needed to square the images on the screen, slightly loosen the front and rear M8 screws and adjust to the desired angle. Then firmly tighten the two M8 adjustment screws.



B



Re-check the hardware for tightness and security.

Figure 7. Final Adjustments



Plastic Cap Installation

Step 1. Once all the final adjustments have been finished, install the plastic caps on the leveling barrels (Figure 8).

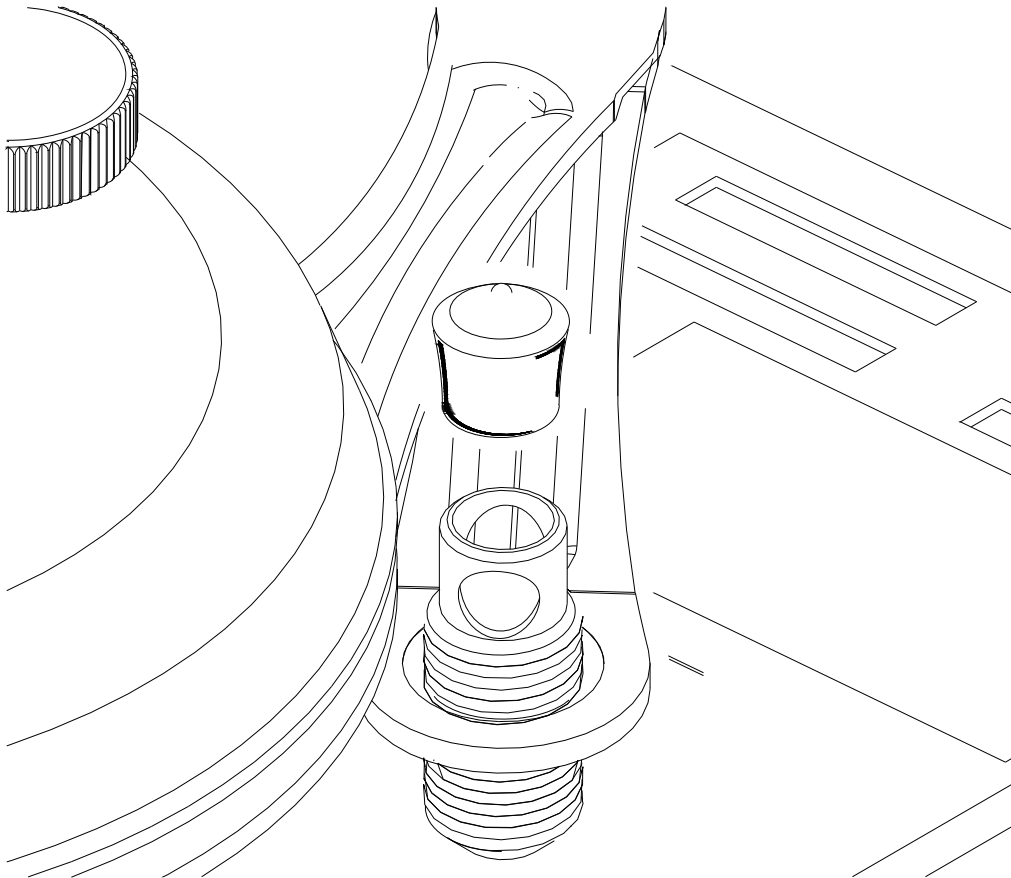


Figure 8. Plastic Cap Installation



Technical Specifications

All measurements are in inches (mm)

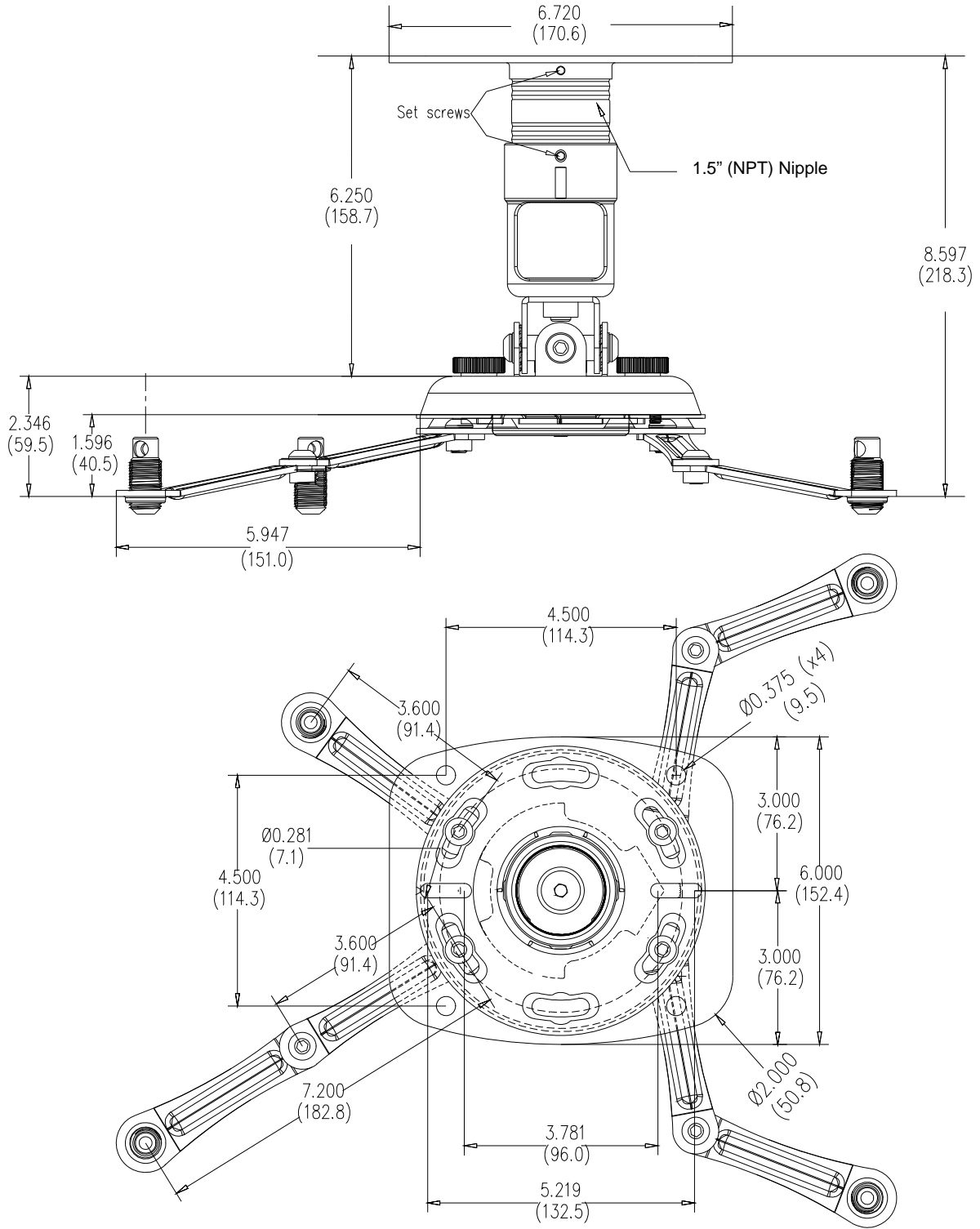


Figure 9. Technical Dimensions



Warranty

PREMIER MOUNTS LIMITED LIFETIME WARRANTY

What and Who is Covered by this Limited Warranty and for How Long

Premier Mounts warrants this product to be free from defects in material and workmanship for the lifetime of the original owner of this product. The limited warranty is valid only for the original purchaser of the product.

What Premier Mounts Will Do

At the sole option of Premier Mounts, Premier Mounts will repair or replace any product or product part that is defective. If Premier Mounts chooses to replace a defective product or part, a replacement product or part will be shipped to you at no charge, but you must pay any labor costs.

What is Not Covered; Limitations

PREMIER MOUNTS DISCLAIMS ANY LIABILITY FOR DAMAGE TO MOUNTS, ADAPTERS, DISPLAYS, PROJECTORS, OTHER PROPERTY, OR PERSONAL INJURY RESULTING, IN WHOLE OR IN PART, FROM IMPROPER INSTALLATION, MODIFICATION, USE OR MISUSE OF ITS PRODUCTS.

PREMIER MOUNTS DISCLAIMS ALL OTHER WARRANTIES, EXPRESS OR IMPLIED, INCLUDING WARRANTIES OF MERCHANTABILITY AND FITNESS FOR A PARTICULAR PURPOSE. PREMIER MOUNTS IS NOT RESPONSIBLE FOR INCIDENTAL OR CONSEQUENTIAL DAMAGES, INCLUDING BUT NOT LIMITED TO, INABILITY TO USE ITS PRODUCTS OR LABOR COSTS FOR REMOVING AND REPLACING DEFECTIVE PRODUCTS OR PARTS. SOME STATES DO NOT ALLOW THE EXCLUSION OR LIMITATION OF INCIDENTAL OR CONSEQUENTIAL DAMAGES, SO THE ABOVE LIMITATION OR EXCLUSION MAY NOT APPLY TO YOU.

What Customers Must Do for Limited Warranty Service

If you discover a problem that you think may be covered by the warranty you **MUST REPORT** it in writing to the address below within thirty (30) days. Proof of purchase (an original sales receipt) from the original consumer purchaser must accompany all warranty claims. Warranty claims must also include a description of the problem, the purchaser's name, address, and telephone number. General inquiries can be addressed to Premier Mounts Customer Service at 1-800-368-9700. Warranty claims will not be accepted over the phone or by fax.

Premier Mounts
Attn: Warranty Claim
3130 E. Miraloma Avenue
Anaheim, CA 92806

How State Law Applies

THIS WARRANTY GIVES YOU SPECIFIC LEGAL RIGHTS, AND YOU MAY ALSO HAVE OTHER RIGHTS WHICH VARY FROM STATE TO STATE.